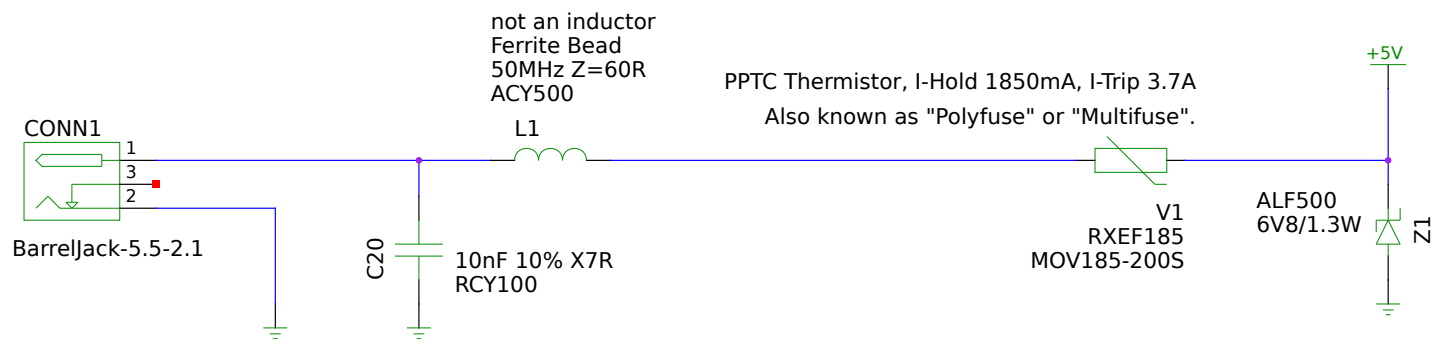


| | | | |
|--|------------------------|--|----------------------|
| Controller, free design | | ZeroCAT Chipflasher | |
| Flash free firmware, kick the Management Engine. | | git://zerocat.org/zerocat/projects/chipflasher.git | |
| TITLE | chipflasher-page01.sch | REVISION: | v2.3.0-316-13e74c358 |
| FILE: | chipflasher-page01.sch | DRAWN BY: | kmx |
| PAGE 1 | OF 9 | | |

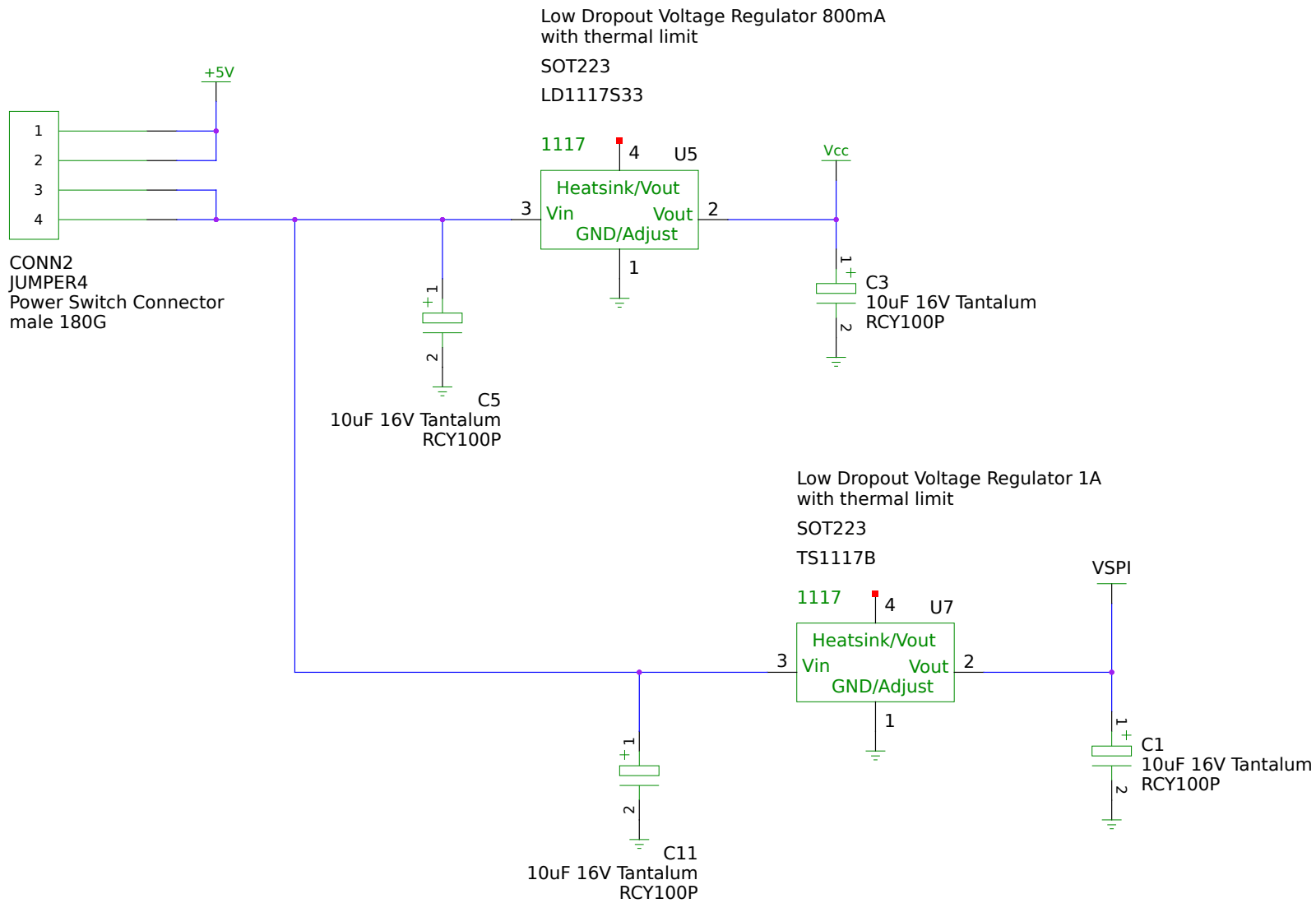


Power Input

Zerocat Chipflasher

Flash free firmware, kick the Management Engine.
[git://zerocat.org/zerocat/projects/chipflasher.git](https://zerocat.org/zerocat/projects/chipflasher.git)

| | | | |
|--------|------------------------|-----------|----------------------|
| TITLE | | | |
| FILE: | chipflasher-page02.sch | REVISION: | v2.3.0-316-13e74c358 |
| PAGE 2 | OF 10 | DRAWN BY: | kmx |



Voltage Regulators

ZeroCAT Chipflasher

Flash free firmware, kick the Management Engine.
[git://zerocat.org/zerocat/projects/chipflasher.git](https://zerocat.org/zerocat/projects/chipflasher.git)

TITLE

FILE:

chipflasher-page03.sch

REVISION:

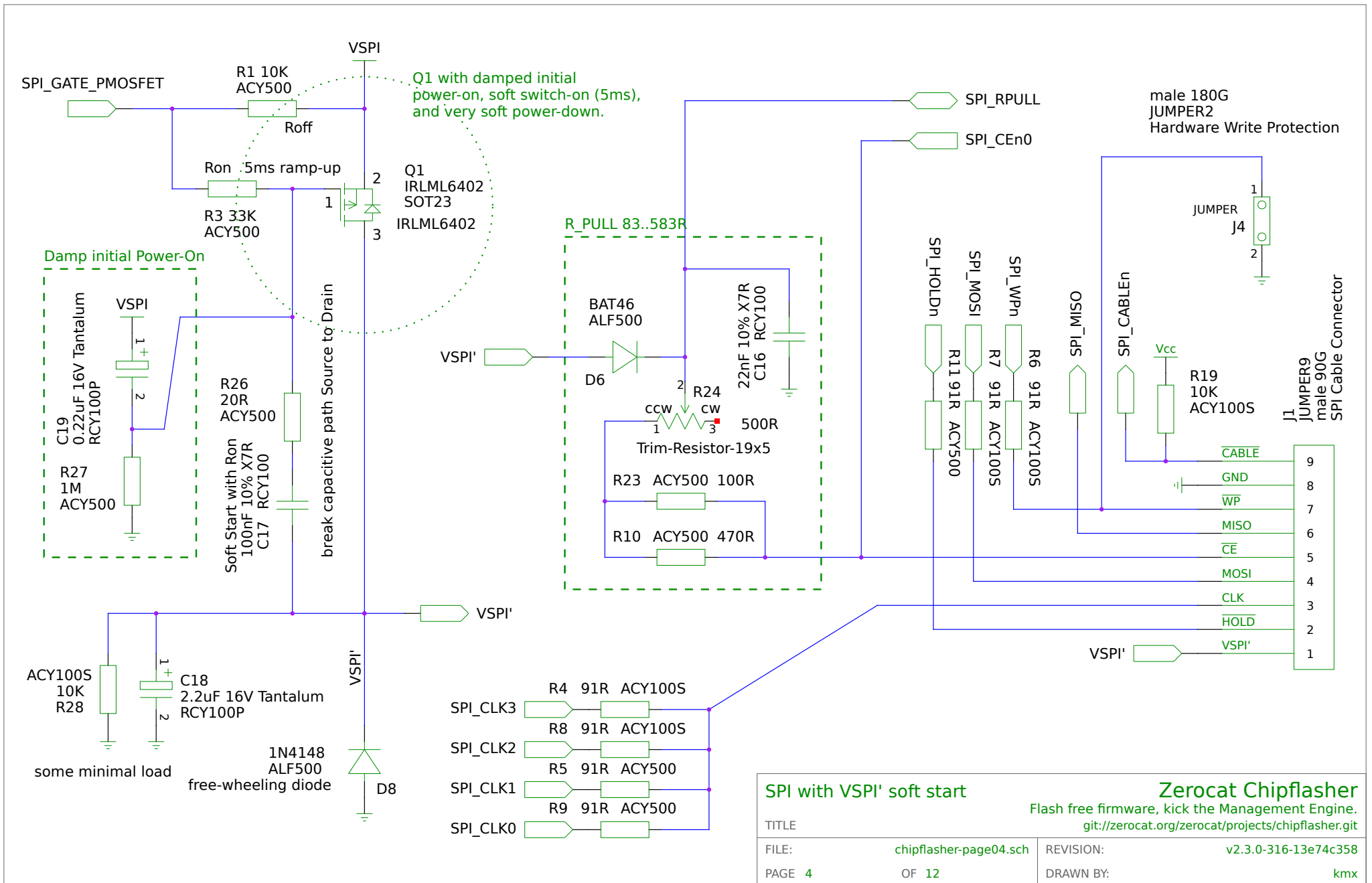
v2.3.0-316-13e74c358

PAGE 3

OF 11

DRAWN BY:

kmx

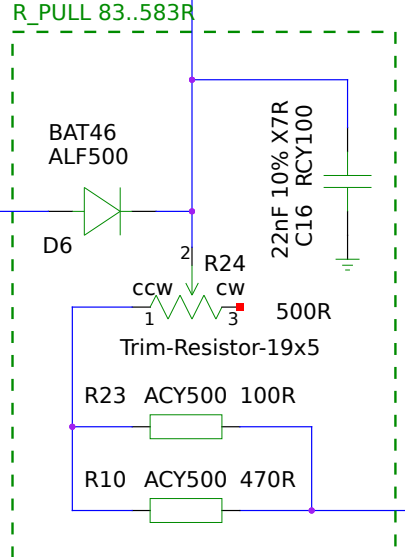


Q1 with damped initial power-on, soft switch-on (5ms), and very soft power-down.

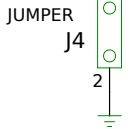
Damp initial Power-On

Soft Start with Ron
100nF 10% X7R
C17 RCY100

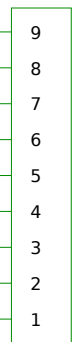
break capacitive path Source to Drain



male 180G JUMPER2 Hardware Write Protection



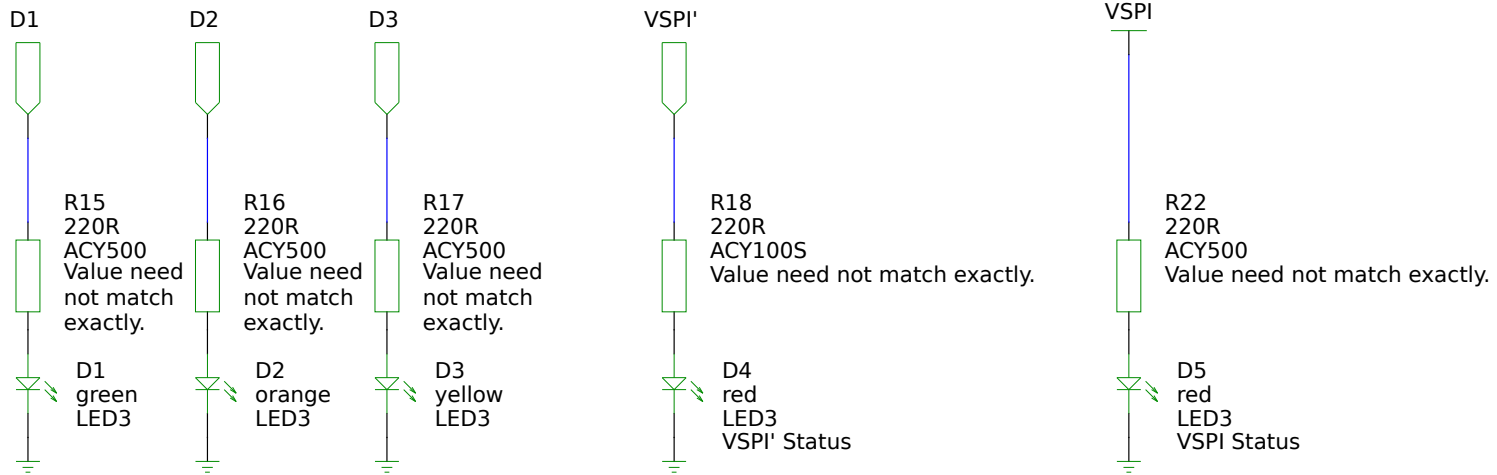
J1 JUMPER9 male 90G SPI Cable Connector



SPI with VSPI' soft start

ZeroCAT Chipflasher
Flash free firmware, kick the Management Engine.
[git://zerocat.org/zerocat/projects/chipflasher.git](https://github.com/zerocat/zerocat/projects/chipflasher.git)

| | | |
|-------|------------------------|--------------------------------|
| TITLE | | |
| FILE: | chipflasher-page04.sch | REVISION: v2.3.0-316-13e74c358 |
| PAGE | 4 | DRAWN BY: kmx |
| | OF 12 | |

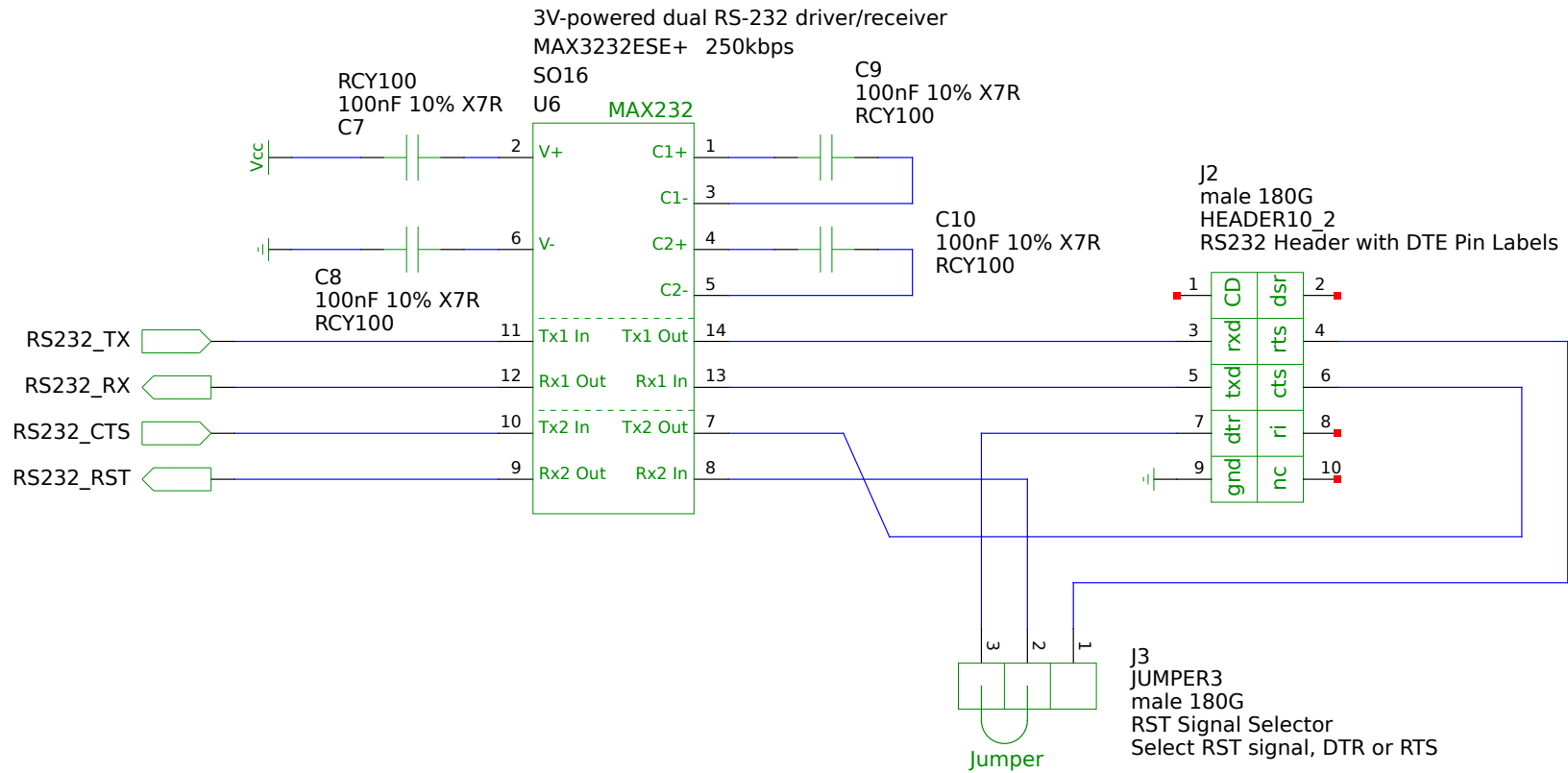


Status LEDs

Zerocat Chipflasher

Flash free firmware, kick the Management Engine.
[git://zerocat.org/zerocat/projects/chipflasher.git](https://zerocat.org/zerocat/projects/chipflasher.git)

| | | | |
|-------|------------------------|-----------|----------------------|
| TITLE | | REVISION: | v2.3.0-316-13e74c358 |
| FILE: | chipflasher-page05.sch | DRAWN BY: | kmx |
| PAGE | 5 | OF | 13 |

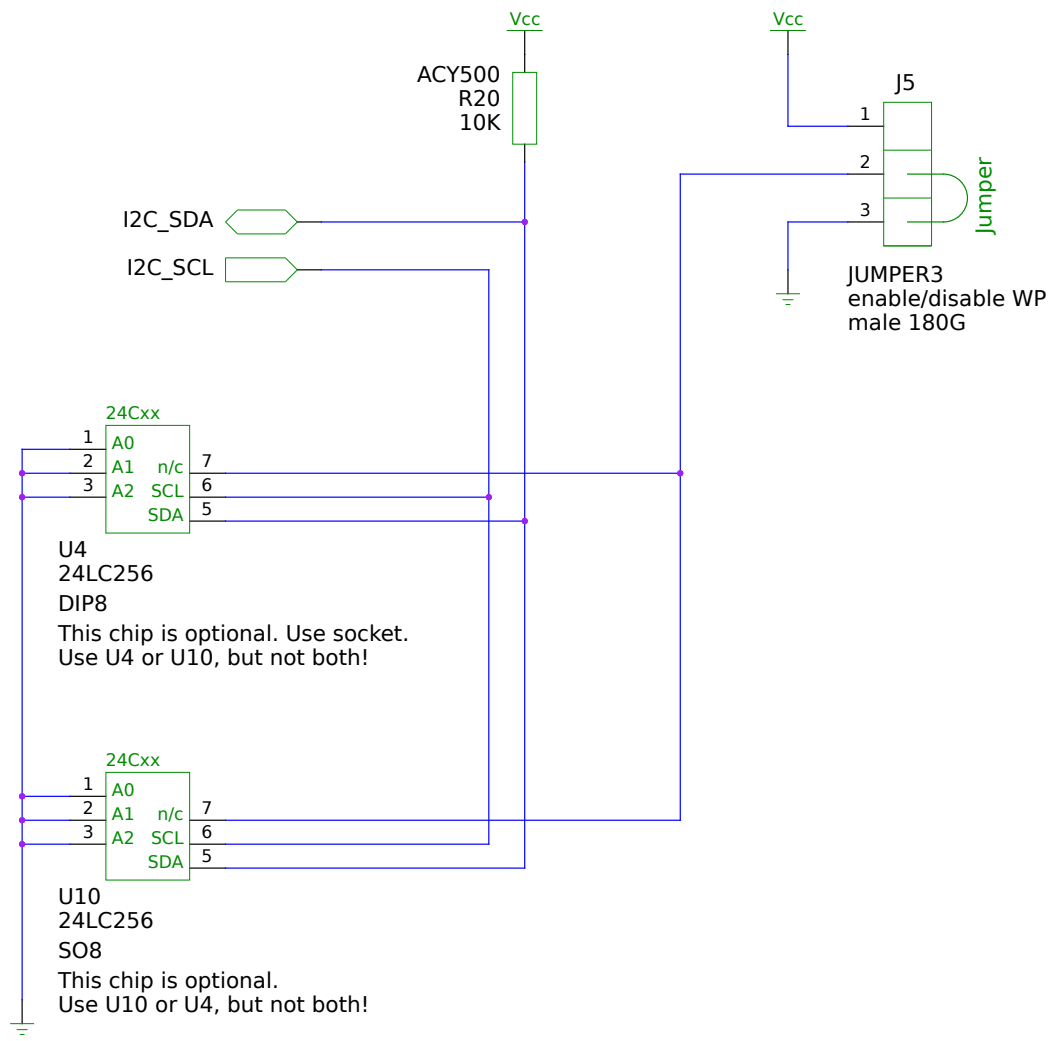


RS232 Pinheader

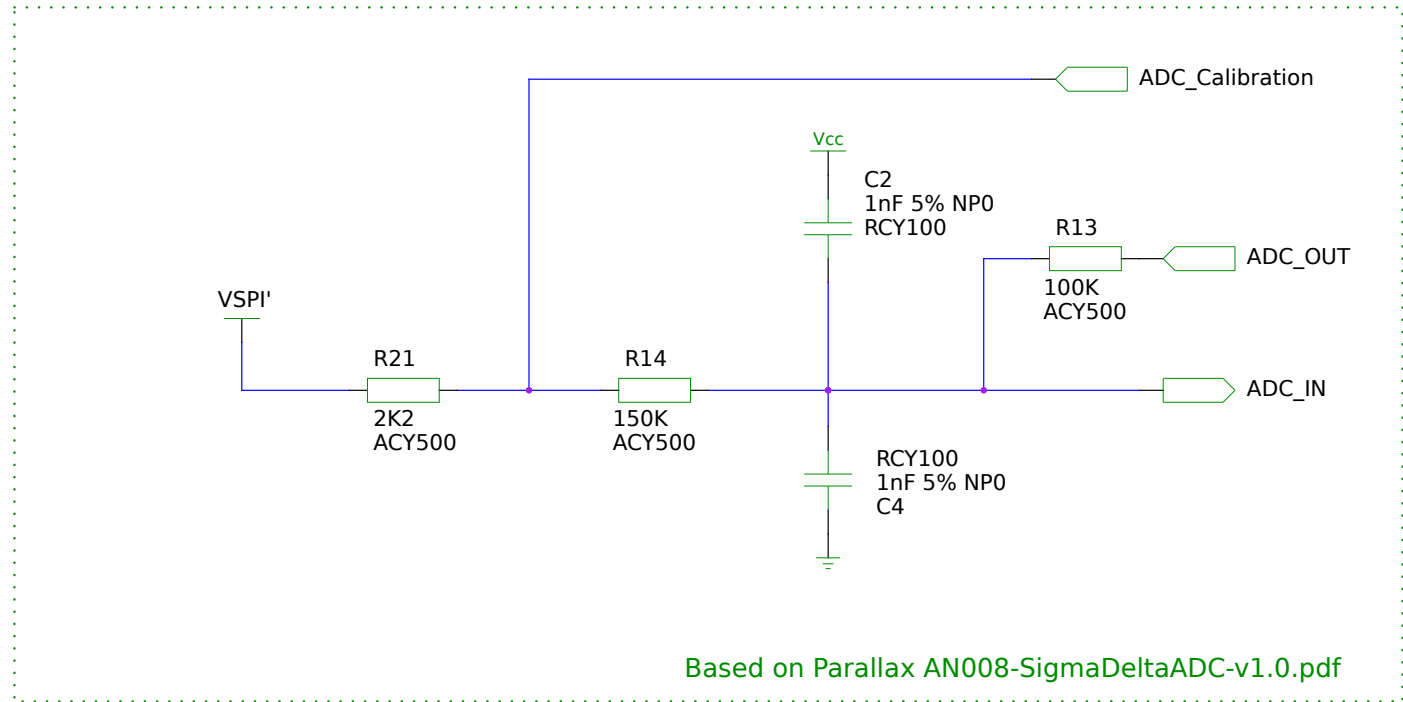
Zerocat Chipflasher

Flash free firmware, kick the Management Engine.
git://zerocat.org/zerocat/projects/chipflasher.git

| | | | |
|-----------|------------------------|-----------|----------------------|
| TITLE | | | |
| FILE: | chipflasher-page06.sch | REVISION: | v2.3.0-316-13e74c358 |
| PAGE | 6 | OF | 14 |
| DRAWN BY: | kmx | | |



| | | | |
|---------------------------------|------------------------|---|----------------------|
| Serial EEPROM (optional) | | Zerocat Chipflasher | |
| | | Flash free firmware, kick the Management Engine. git://zerocat.org/zerocat/projects/chipflasher.git | |
| TITLE | | REVISION: | v2.3.0-316-13e74c358 |
| FILE: | chipflasher-page07.sch | DRAWN BY: | kmx |
| PAGE | 7 | OF | 15 |



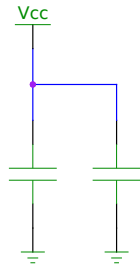
Sigma-delta ADC Circuit

Zerocat Chipflasher

Flash free firmware, kick the Management Engine.
[git://zerocat.org/zerocat/projects/chipflasher.git](https://zerocat.org/zerocat/projects/chipflasher.git)

| | | | |
|-----------|------------------------|-----------|----------------------|
| TITLE | | | |
| FILE: | chipflasher-page08.sch | REVISION: | v2.3.0-316-13e74c358 |
| PAGE | 8 | OF | 16 |
| DRAWN BY: | kmx | | |

100nF 10% X7R
C12 RCY100
Blocking Cap for U1 (P8X32A)



100nF 10% X7R
C13 RCY100
Blocking Cap for U1 (P8X32A)



Blocking Cap for U4 and U10
C15
RCY100
100nF 10% X7R



Blocking Cap for U6, U2, U9
C6
RCY100
100nF 10% X7R

Blocking Caps

Zerocat Chipflasher

Flash free firmware, kick the Management Engine.
[git://zerocat.org/zerocat/projects/chipflasher.git](https://zerocat.org/zerocat/projects/chipflasher.git)

FILE: chipflasher-page09.sch

REVISION: v2.3.0-316-13e74c358

PAGE 9 OF 17

DRAWN BY: kmx